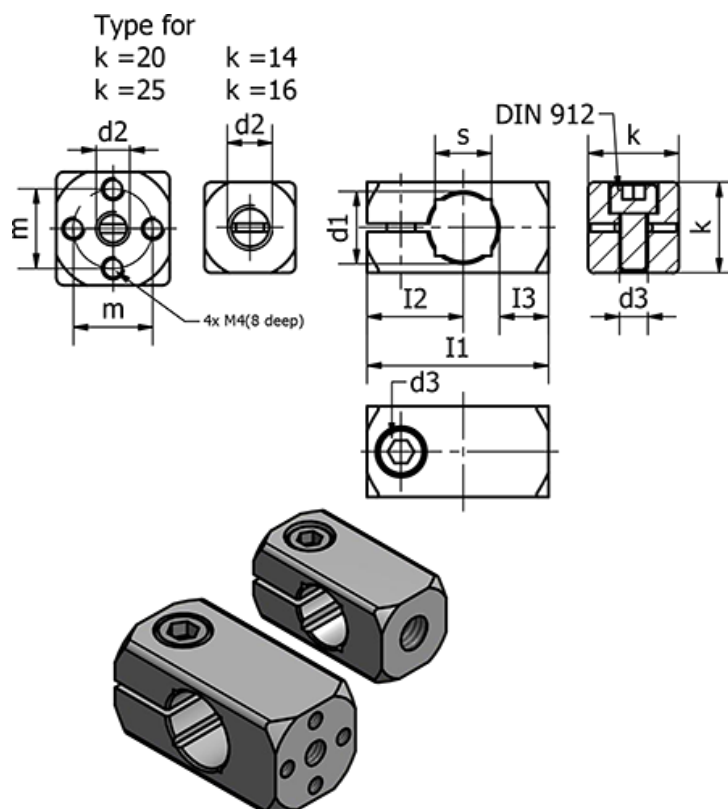


Article number: 20478B15M6MT

Description: E+G Clamp mounting - GN 478-B15-M6-MT

Measures



Clamping kit for $d_2 =$ GN 511-M6-20	m	$= 14$	
d_1 h11	$= 15$	s	$= 12$
d_2	$= M6$	Weight (g)	$= 20$
d_3	$= M6$		
I_1	$= 40$		
I_2	$= 20.5$		
I_3	$= 12$		
k	$= 20$		